

POWERFAB 3400X

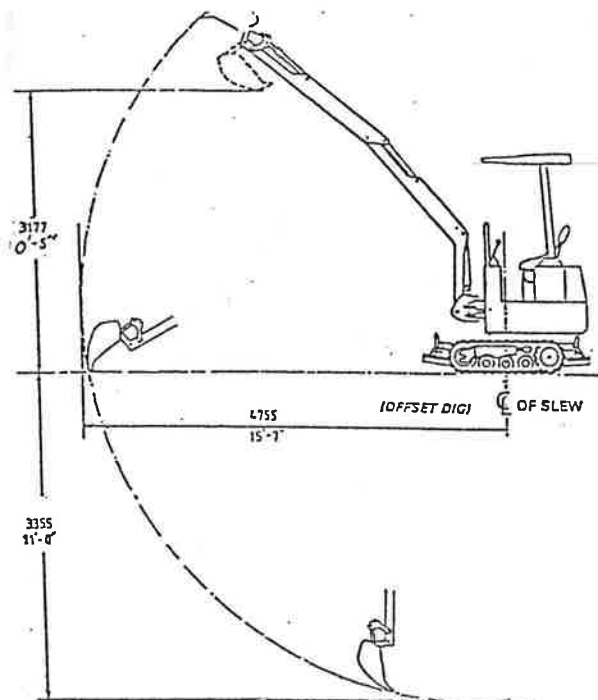
3.400M
11' 0"

DEEP DIG CRAWLER EXCAVATOR



PERKINS DIESEL ENGINE SERIES 103-10 (WITH HPTO)

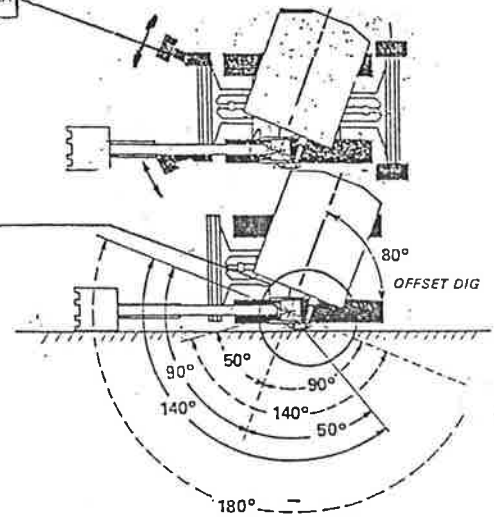
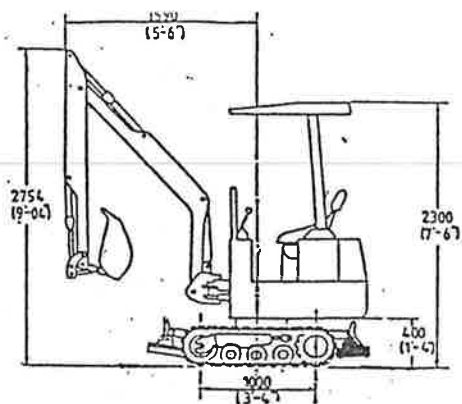
- CAPABLE OF WORKING ON UNEVEN GROUND.
Utilizing hydraulic outriggers front and rear with additional outriggers, which can be manually adjusted to improve stability.
- OFF SET DIGGING POSITION.
- QUICK RELEASE COUPLINGS MOUNTED ON BOOM.
- 1 TONNE TEAR OUT FORCE.
- COMPLETE WITH 16" BUCKET.



Offset Dig version provides an independent Boom Swing for digging close and parallel to a wall or bank as shown below.

STABILIZERS
MECHANICAL LEGS MOVE HORIZONTAL LEFT TO RIGHT & VERTICALLY UP & DOWN

For offset digging two hole cylinder connection enables you to select a boom swing of 90° to the left or right with a 50° swing in the opposite direction - a total swing capability of 180°



OPERATING DIAGRAM

SPECIFICATIONS

ITEM	DESCRIPTION	TECHNICAL DATA
ENGINE	Perkins Diesel Model 103-10, 21.2 HP At 3600 R.P.M.	3 Cylinder Water Cooled Electric Start Diesel
PERFORMANCE	Gradeability Slewing Speed Offset Boom Swing Angle Platform Swing Angle Travelling Speed Ground Contact Pressure	58% (30°) 9 R.P.M. 180° (Total) 360° 1.76 km/hr / 1.1 m.p.h. 0.25 to 0.30 Kg per cm ²
BUCKET	Standard Bucket	Capacity 0.045 M ³ Width 400mm
	Deep Bucket	Capacity 0.052 M ³ Width 400 mm
HYDRAULIC SYSTEM	Twin Pump Flow Main Line Relief Pressure	28 L.P.M. 186 Bar
	Dozer Pump Flow Main Line Relief Pressure	10 L.P.M. 186 Bar
UNDERCARRIAGE	Track Width No. of Rollers	Reinforced Rubber 200mm 3 per Track
DOZER BLADE	Width x Height Lift and Drop	1000 x 230 Lift 220 Drop 130
SHIPPING DIMENSIONS	Standard Length x Width x Height	2040 x 1020 x 2200
	Offset Dig Length x Width x Height	2300 x 1020 x 2200
MASS	Operating Weight	1.2 Ton to 1.35 Ton

For further information contact our Sales Dept. at the address given below.

MAJOR DIMENSIONS

BUCKETS

A RANGE OF EXCAVATOR BUCKETS ARE AVAILABLE IN WIDTHS RANGING FROM 200mm TO 600mm) SPECIAL PURPOSE ATTACHMENTS INCLUDING GRABS, FACE SHOVELS, GRAVE DIG BUCKETS AND MATERIAL HANDLING BUCKETS ARE ALSO AVAILABLE

ANCILLARY EQUIPMENT

H.P.T.O. CONNECTIONS ENABLE YOU TO POWER A RANGE OF HYDRAULICALLY OPERATED IMPLEMENTS. THESE INCLUDE BREAKERS, CIRCULAR AND CHAIN SAWS, DRILLS, POLE HOLE BORERS, BRUSHES, WATER PUMPS, PRUNERS ETC

Due to our policy of continual improvement, we reserve the right to ammend design or specifications without prior notice.

Your Powerfab Distributor.

POWERFAB

SALES & SPARES LIMITED

FAIR VIEW, ASHVALE, TREDEGAR, GWENT NP2 3HA UNITED KINGDOM.

TELEPHONE: 049525 - 6627.

TELEX: 498973 POWFAB G.

FAX: 0495 - 718162

LEXPRINT OF RISCA

Patents Pending