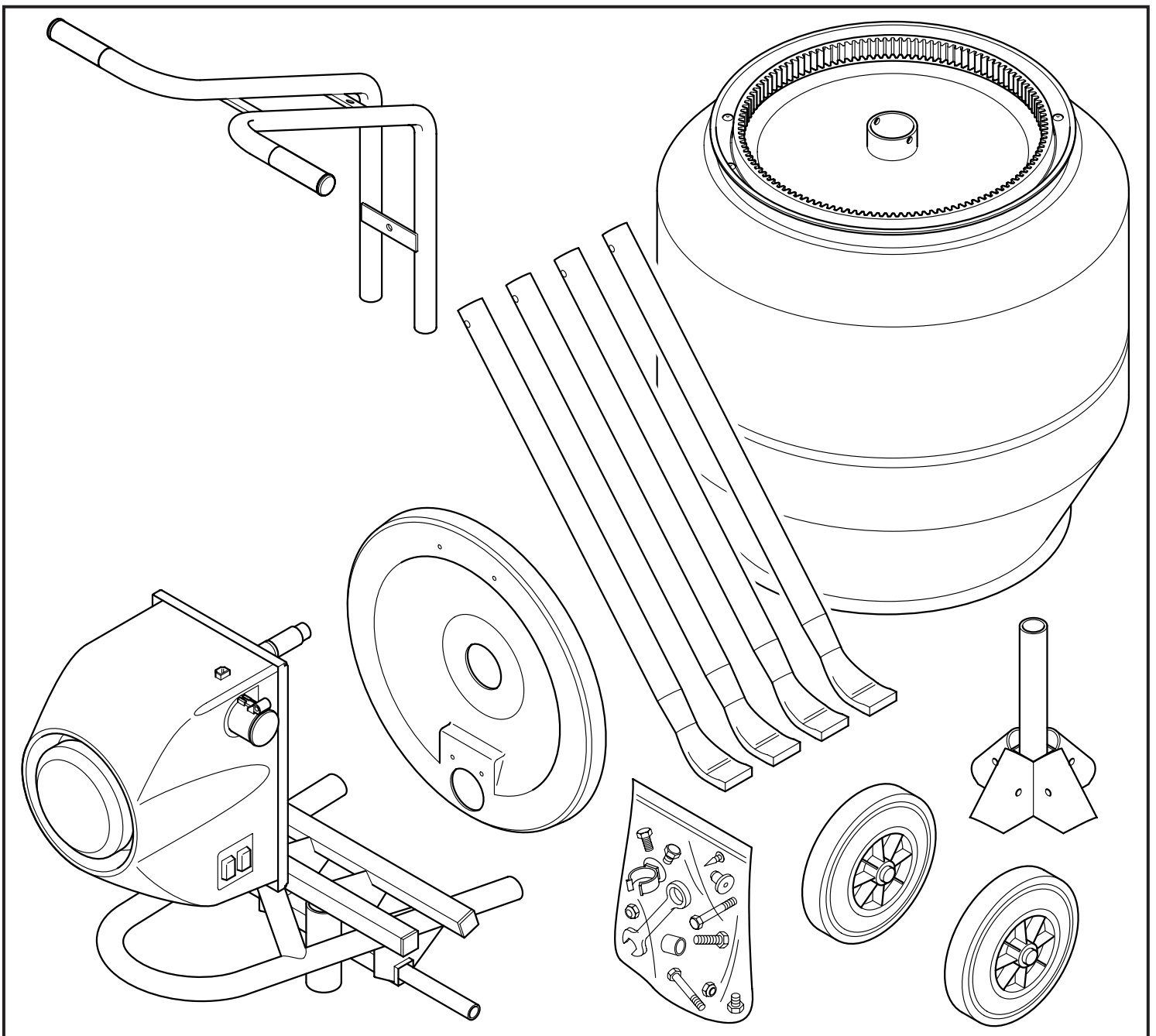




International Patents Pending



# OPERATORS MANUAL



# INTRODUCTION

Congratulations on your purchase of this quality concrete mixer.

Read this manual, carefully, observing all operating and safety instructions before, during and after using your machine, and maintain your machine in good working order.

This machine is manufactured to conform to the EEC directives currently in force, is issued with a declaration of conformity and therefore displays the CE mark, applicable in territories where they are enforced.

When maintaining this machine only the manufacturers original spare parts may be used. The user will lose any possible claims if replacement parts used are other than the makers original spare parts.

Retain this manual with your machine for future reference.

## TECHNICAL DATA

|                         |            |
|-------------------------|------------|
| Mixer Model             | : MINI 130 |
| Unladen Weight          | : 48 kg    |
| Maximum Drum Capacity   | : 130 ltr  |
| Maximum Mixing Capacity | : 90 ltr   |
| Drum speed (RPM)        | : 28       |

## Electric Equipment

|                   |                      |
|-------------------|----------------------|
| Nominal Voltage   | : 230v               |
| Nominal Current   | : 4.5 amp            |
| Nominal Power     | : 0.56 kw            |
| Current Frequency | : 50 Hz              |
| Motor R.P.M.      | : 2,800              |
| Protective System | : IP45               |
| Power Consumption | : 850 watts          |
| Noise Level       | : Less than 70 dB(A) |

## Overall Dimensions

|                    |           |
|--------------------|-----------|
| Height (Off stand) | : 830 mm  |
| Width              | : 580 mm  |
| Length             | : 1080 mm |

## SAFETY AND ACCIDENT PREVENTION

### Operation Instructions

All persons who apply, assemble, operate, start, control, maintain or repair this machine, must read and understand the operating instructions.

### Owner Responsibility :

The owner must ensure that only qualified persons operate, maintain or repair this machine.

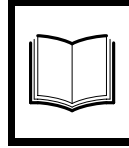
## STORAGE

When not in use, store in a dry, locked place. Keep away from children.

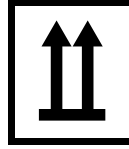
### Operation for the Intended Purpose :

Mixers are intended for the production of concrete, mortar and plaster. The mixer must be used for its intended purposes and is not suitable for the mixing of flammable or explosive substances. The mixers must not be used in an explosive atmosphere.

## WARNING DECALS



Read Operator Manual



This Way Up



Do Not Hang




Caution Taken  
When Handling




Only Stack 3 High

## ELECTRICAL CONNECTION

 The 230v mixer is double insulated to Class II Protection IP45 rated.


The insulation will only remain effective if the original insulating parts are used for repairs and the spaces between the original insulation are maintained.

 Serious injury or death may occur if these instructions are not observed.

Only rubber cable leads to H07RN-F specification may be used with this machine. The cable sourced for use with this machine must not be of a lower IP rating than the motor enclosure.

## MAINTENANCE AND REPAIRS

Only authorised persons should repair the mixer, and within the requirements of the CE mark (where applicable), where no deviation to the original specification must take place.

 Any maintenance and repairs carried out, to any of the electric components must be undertaken by a qualified electrician.

## SPARE PARTS

Contact Belle Engineering Ltd. When ordering parts, quote the serial number. Detail the part required by part number, description and quantity.

# ⚠ SAFETY INSTRUCTIONS ⚠

## READ THESE SAFETY INSTRUCTIONS

Please read and understand all running/safety instructions before operating this machine.

### Before starting the mixer

- ⚠ Check that all guards are in position and correctly fitted.
- ⚠ **DO NOT** wear loose clothing or jewellery that may become entangled in the workings of this machine.
- ⚠ Suitable clothing as follows should meet relevant EEC/local safety standards: overalls, work boots, goggles, face mask, gloves and ear defenders etc.
- ⚠ **DO NOT** tip mixer onto the drum mouth when motor is running.
- ⚠ Ensure that any trailing cable is protected against damage and not liable to be tripped over or trapped underneath the mixer.
- ⚠ **We recommend the use of an Residual Current Device on 230v electrics.**

### When operating the mixer

- ⚠ Keep unauthorised persons away from mixing drum.
- ⚠ Keep area around the mixer clear of obstructions which could cause persons to fall onto moving parts.
- ⚠ Always ensure mixer is on level ground before mixing.
- ⚠ **DO** become familiar with the controls before operating this machine.
- ⚠ **DO** ensure that all guards are fitted in the correct position.
- ⚠ **DO** replace any worn/damaged warning decals.
- ⚠ **DO** ensure the drum is rotating while emptying the mixer.
- ⚠ **DO** always switch off and remove the plug from the socket if leaving the machine unattended.
- ⚠ **DO NOT** use as a wheel barrow. Disconnect from power supply before moving.
- ⚠ **BEWARE** of the danger zones.

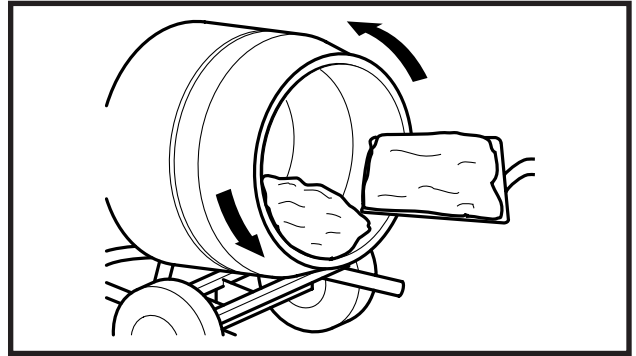
### Emergency Stop

If you have to turn off the mixer in a emergency you must either turn off at switch or at the mains.

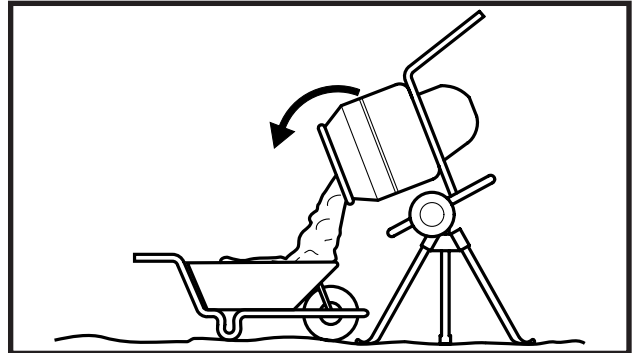
### Fire Fighting

If your mixer catches fire, turn off the electric supply. Using a dry powder or CO<sub>2</sub> fire extinguisher put out the fire. If the fire can not be put out, keep away and call the fire brigade.

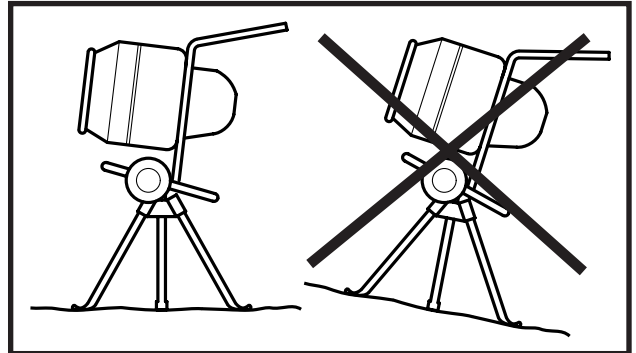
If you are in any doubt about the safety condition of your machine, please consult Belle Engineering Ltd.



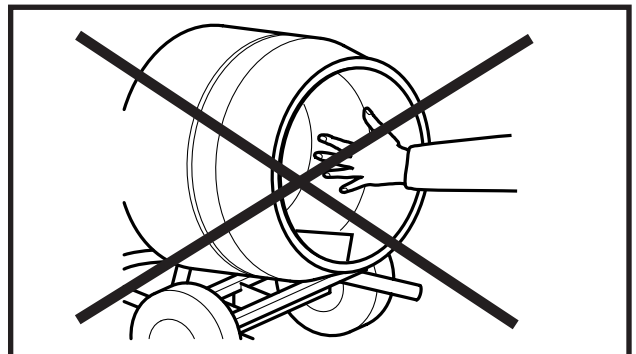
DRUM ROTATES ANTI-CLOCKWISE



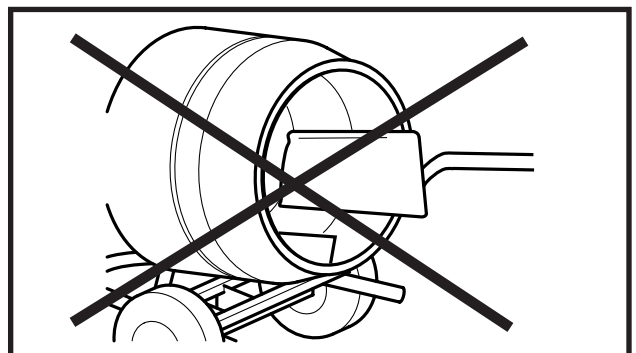
TIP MIXER FORWARD TO DISCHARGE THE DRUM



ALWAYS MIX ON LEVEL GROUND

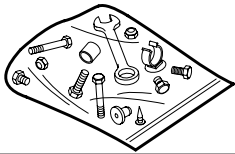
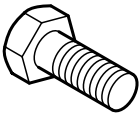

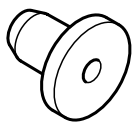
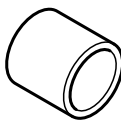




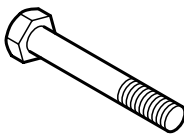

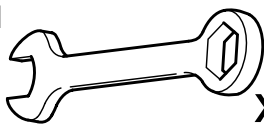


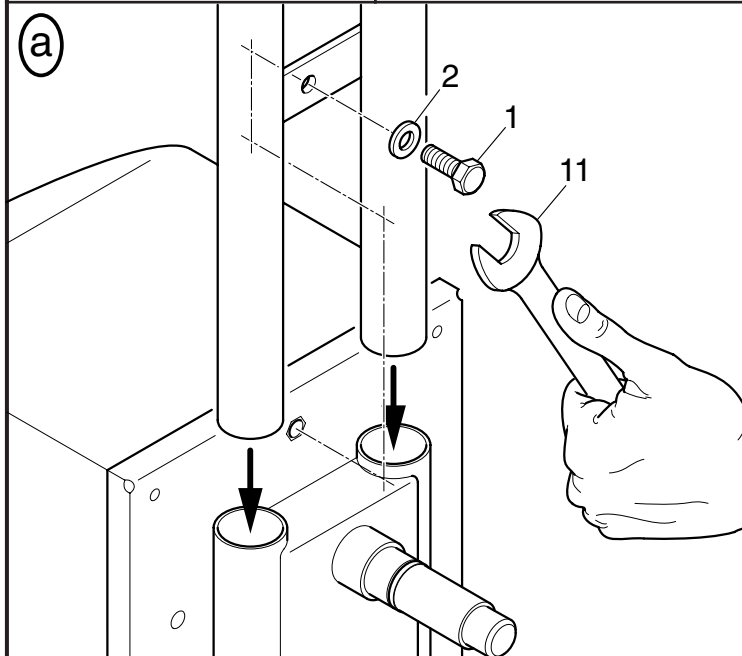
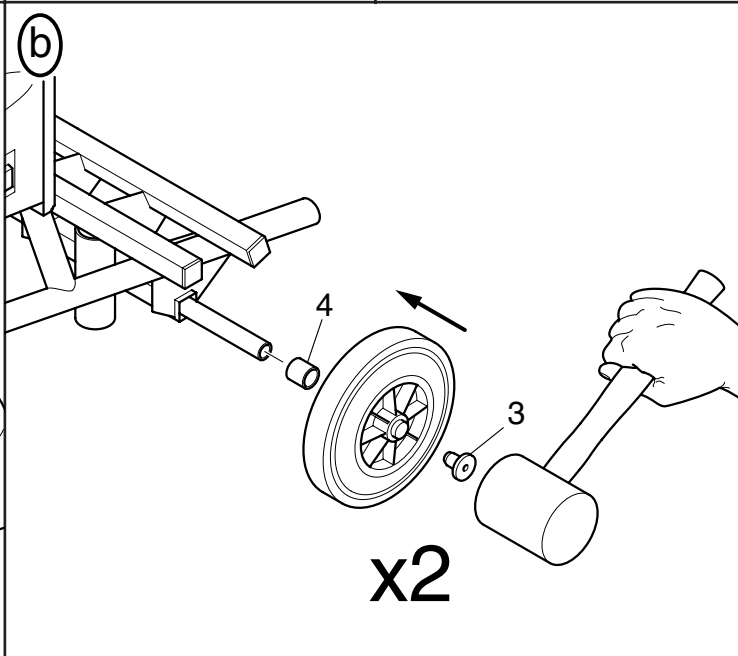
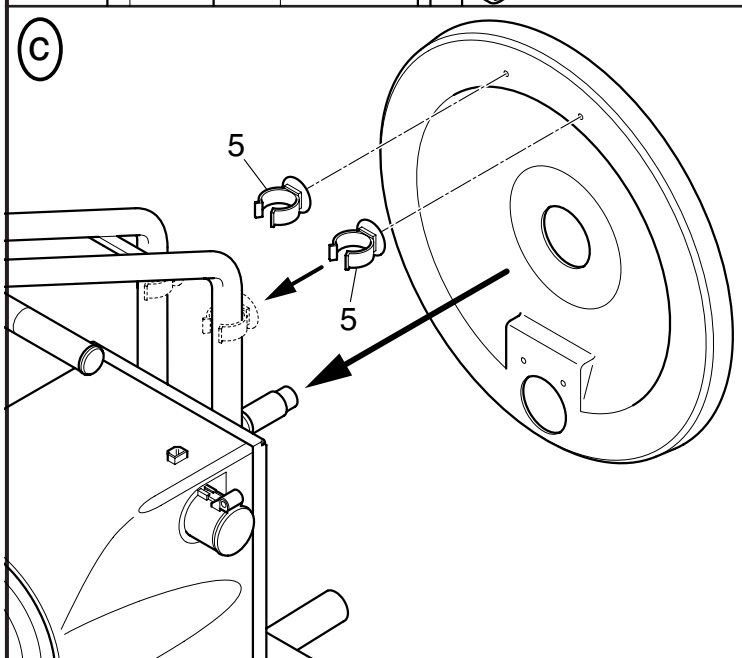
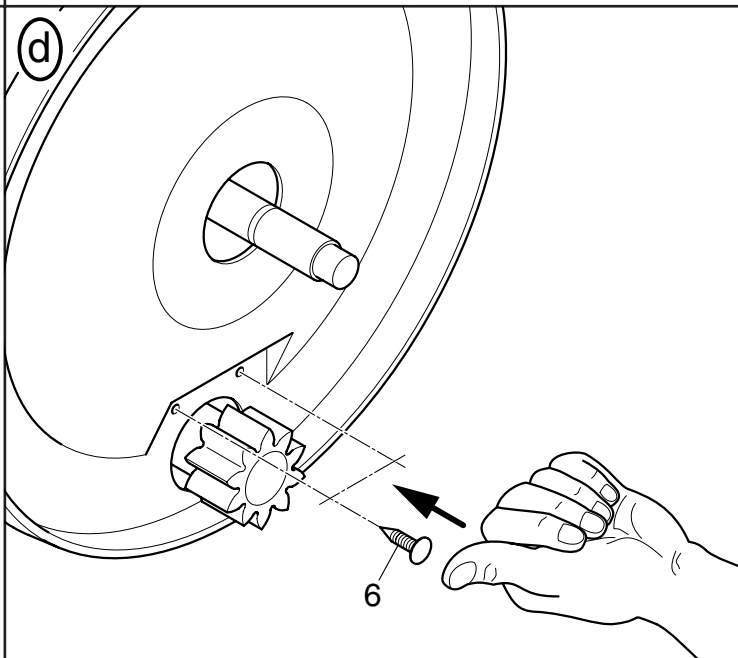


DO NOT PUT ANY PART OF YOUR BODY IN THE DRUM

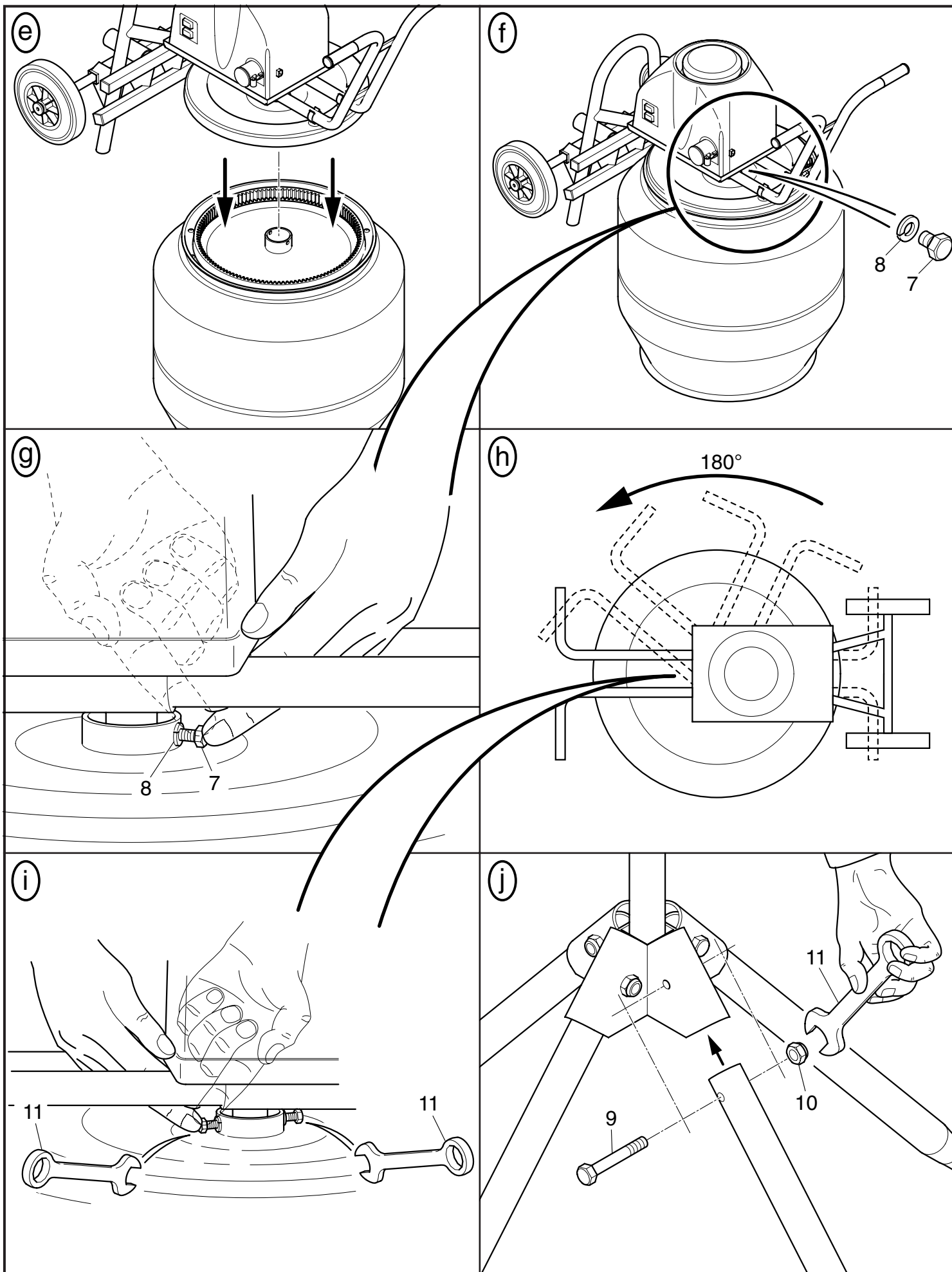


DO NOT PUT SHOVEL IN THE DRUM

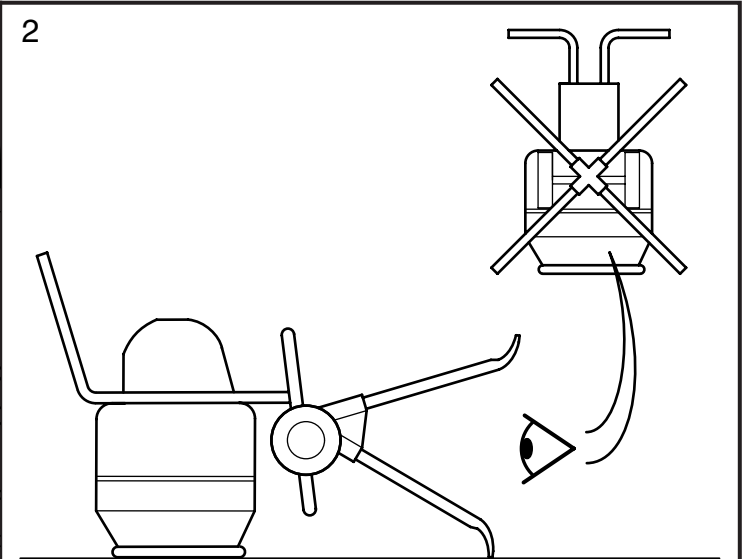
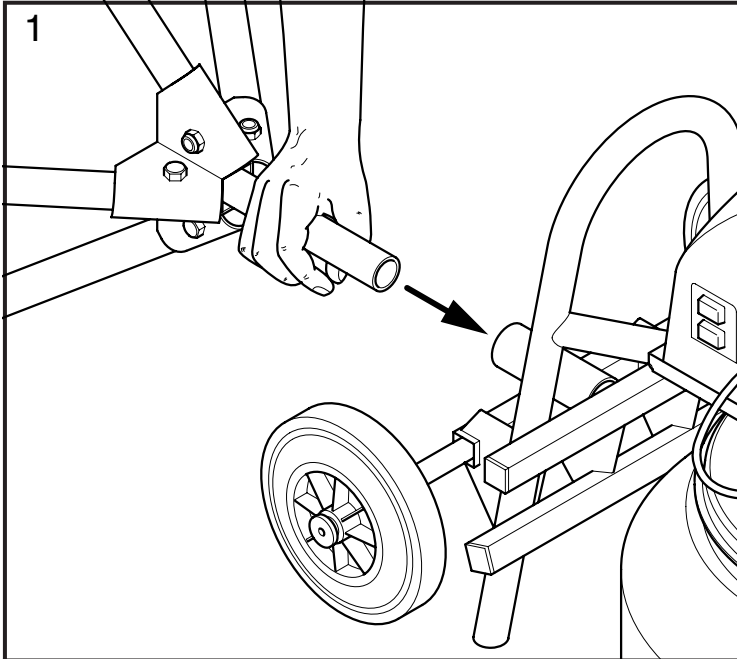
# ASSEMBLY INSTRUCTIONS

|   |   |   |   |
|---|---|---|---|
|              | <p>⚠ Ensure nuts and bolts are securely tight.</p>                                      | 1  x1           | 2  x1  |
| 3  x2        | 4  x2  | 5  x2           | 6  x2  |
| 7  x2        | 8  x2  | 9  x4           | 10  x4 |
| 11  x2        | 12  x1 | 13  x1          |   |
| <b>(a)</b>   |   | <b>(b)</b>  x2 |   |
| <b>(c)</b>  |   | <b>(d)</b>    |   |

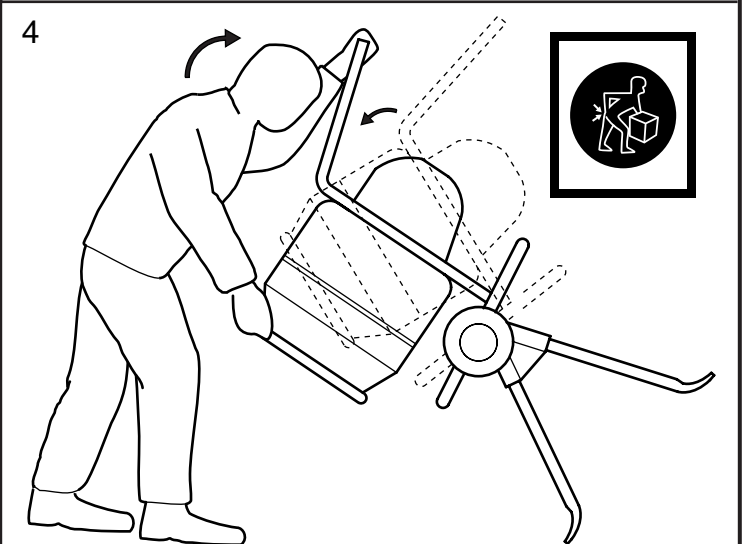
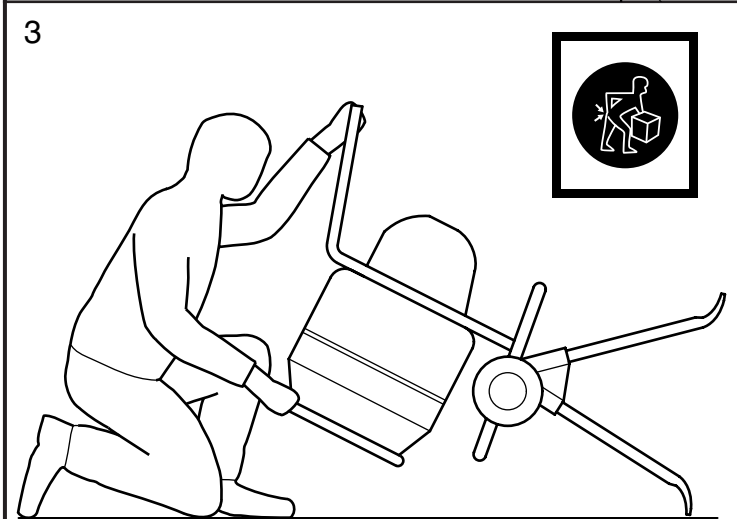
# ASSEMBLY INSTRUCTIONS



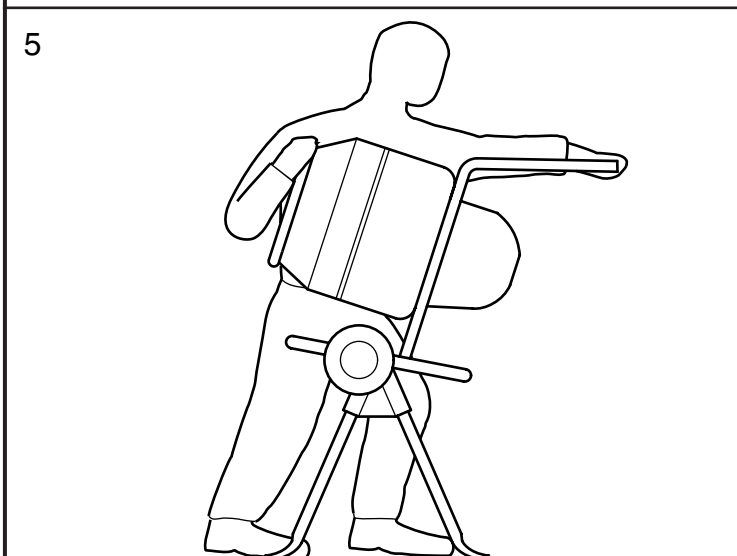
# STAND ASSEMBLY



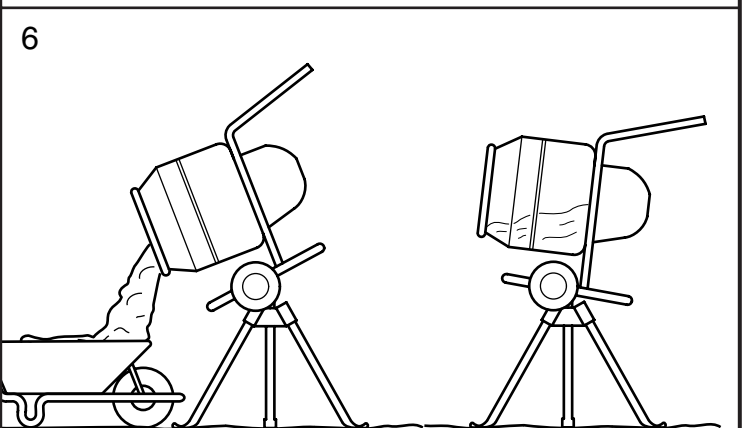
**⚠ DO NOT** tip mixer onto drum mouth when motor is running



**⚠ CAUTION** whilst rotating mixer up into stand position, beware of the drum kicking back



**⚠ Ensure all packaging materials have been removed from the machine before operating**



DISCHARGE POSITION

MIX POSITION

**NOTE:** When ready for dismantling the mixer after use, follow all the previous procedures but in reverse order.



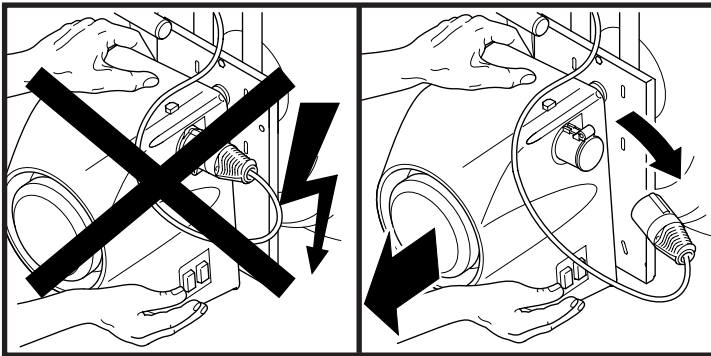
# MAINTENANCE

Before starting any maintenance or repairs, switch off motor, and isolate from the main power supply.

On completion of maintenance, check that the mixer functions correctly and that all guards are correctly fitted. Keep the work area clean and well lit.

All portable electric appliances are dangerous if abused. This machine will only operate on one voltage. Check the power supply to ensure it corresponds to the voltage as indicated on the rating label. Make sure that the motor is switched off before you plug it into the power supply.

230v -Always use a Residual Current Device ("RCD"), (earth leakage trip), plugged directly into the 230v socket. If using an extension cable, plug it directly into the RCD.



Only rubber cable leads to H07RN-F specification may be used with this machine. The cable sourced for use with this machine must not be of a lower IP rating than the motor enclosure.

The symbols on the ON/OFF switch are 0=OFF and I=ON in accordance with international standards.

## EXTENSION CABLES

If you need to use an extension cable it must be no longer than 30 metres (100 feet) in length. The wire section must be 1.5mm<sup>2</sup> on 230v. Ensure that the extension cable is carefully laid out avoiding liquids, sharp edges and places where vehicles might run over it. Avoid allowing the extension cable to be trapped underneath the mixer. Unroll it fully or it will overheat and could catch fire. Make sure that any extension cable connections are dry and safe.

## CLEANING

Wipe off any external material. **DO NOT** use petrol, turpentine, lacquer or paint thinner, dry cleaning fluids or similar products. Never let any liquids near the motor.

Use 1" gravel and clean water to clean the inside of the drum. **DO NOT** use bricks etc. as this will damage the drum.

- ⚠ **Ensure the extension lead is always unplugged before the motor cover is removed.**
- ⚠ **Any maintenance and repairs carried out, to any of the electric components must be undertaken by a qualified electrician.**

# MIXING HINTS

A few hints on mixing. First add water, about 1 1/2 gallons approximately, depending on the type of mix. Cement should go in after some of the aggregates work consistently to the ratio of ingredients as listed below for whatever type of concrete mix you are working to. Beware of low grade aggregates, this only leads to trouble later on with sinking and frost spoiling the appearance of the pour. Also importantly do not get the concrete mix too wet as this can reduce the strength and is less able to withstand weathering. Never throw material into the mixer, trickle it steadily over the rim or it will stick firmly to the back of the drum and can

only be dislodged by stopping the mixer. The approximate mixing time for concrete is 2 1/2 minutes, this is taken when all the material, including the water has entered the drum. Over mixing can reduce strength and cause segregation of the coarser aggregates.

Keep your mixer clean, the slightest trace of material left in the drum, will harden and attract more each time you use it until the machine is useless. Do not throw bricks into a mixer drum to clean it out. The best method is 1" gravel and clean water, use plenty of it, as this will do the job in half the time.

| TABLE OF CONCRETE MIXERS           | MIX       | BATCH QUANTITIES               |       |     |       |     | APPROX. BATCH OUTPUT |     |
|------------------------------------|-----------|--------------------------------|-------|-----|-------|-----|----------------------|-----|
|                                    |           | CEMENT<br>112lb<br>50Kg<br>bag | SAND  |     | STONE |     | CU.FT                | LTR |
|                                    |           |                                | CU.FT | LTR | CU.FT | LTR |                      |     |
| MOST ORDINARY                      | 1:2:4     | 1/2 BAG                        | 1 1/4 | 35  | 2 1/2 | 71  | 3                    | 85  |
| FOUNDATIONS                        | 1:3:6     | 1/3 BAG                        | 1 1/4 | 35  | 2 1/2 | 71  | 2 3/4                | 78  |
| ROUGH MASS CONCRETE                | 1:4:8     | 1/4 BAG                        | 1 1/4 | 35  | 2 1/2 | 71  | 2 3/4                | 78  |
| WATERTIGHT FLOORS, TANKS PITS, ETC | 1:1 1/2:3 | 2/3 BAG                        | 1 1/4 | 35  | 3     | 71  | 3                    | 85  |

**NOTE:** 5 No 2 shovels = approx. 1 cu.ft

# MINI 130

**Belle Engineering (Sheen) Ltd, Sheen, Nr. Buxton, Derbyshire. SK17 OEU, England.**

**Tel: 01298 84606 Fax: 01298 84722**

**The company reserves the right to amend or improve any specifications in this brochure without notice**